

## OVRH series product range



Name	OVRHSP (200, 240, 300, 400)	OVRHSP (120, 160)	OVRHSP (60, 80, 100)	OVRHSR (120, 160)	OVRHTE	OVRHT3B	OVRHT3C	OVRHS3U	OVRHLD
<b>Connection Ampacity</b>	1,000A and higher	1,000A and below	400A and below	1,000A and below	100–80kA and below 1,000A and below 50kA and below 25kA and below 100A and below	400A and below	400A and below	400A and below	100A and below
<b>SPD Type</b>	Type 1	Type 1	Type 1	Type 1	Type 2	Type 1	Type 1	Type 1 and Type 2	Type 1
<b>Certifications</b>	UL 1449	UL 1449	UL 1449	UL 1449	UL 1449	UL 1449	UL 1449	UL 1449	UL 1449
<b>Surge Ratings</b>	200, 240, 300, 400kA per phase	120, 160kA per phase	60, 80, 100kA per phase	120, 160kA per phase	25, 50, 80 and 100 per mode	50kA per phase	50kA per phase	40kA per phase	20, 25, 30kA per phase
<b>LEDs</b>	Yes	Yes	Yes	Yes	Yes	Yes	Yes	Yes	Yes
<b>Dry Relay Contacts</b>	Standard	Standard	Optional	Standard	Optional	Not available	Not available	Optional	Not available
<b>EMI Filter</b>	Optional	Optional	Optional	Optional	Optional	Not available	Not available	Not available	Not available
<b>Surge Counter</b>	Optional	Optional	Not available	Not available	Not available	Not available	Not available	Not available	Not available
<b>Warranty</b>	10-years	10-years	10-years	10-years	5-years	3-years	3-years	3-years	3-years

# OVRHTE

## Sub and Mid-Level Distribution – 1,000A and below



### Available configurations

Model number	Voltage	Configuration
OVRHTExx1201P	120V	1-phase, 2-wire + ground
OVRHTExx2401P	240V	1-phase, 2-wire + ground
OVRHTExx1202S	120/240V	2-phase, 3-wire + ground
OVRHTExx1203Y	120/208V	3-phase Wye, 4-wire + ground
OVRHTExx2203Y	220/380V	3-phase Wye, 4-wire + ground
OVRHTExx2403Y	240/415V	3-phase Wye, 4-wire + ground
OVRHTExx2773Y	277/480V	3-phase Wye, 4-wire + ground
OVRHTExx3473Y	347/600V	3-phase Wye, 4-wire + ground
OVRHTExx1203H	120/240V	3-phase Hi-Leg, 4-wire + ground
OVRHTExx2403D	240V	3-phase Delta, 3-wire + ground
OVRHTExx3803D	380V	3-phase Delta, 3-wire + ground
OVRHTExx4803D	480V	3-phase Delta, 3-wire + ground

Model number: Where "xx" can be 25, 50, 80, or 100  
 OVRHTE/100–80kA/1,000A and below  
 OVRHTE/50kA/400A and below  
 OVRHTE/25kA/100A and below

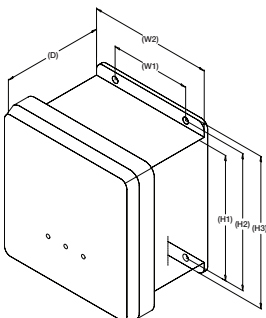
Available option	Model number*
Dry Form "C" relay contacts	5

\*Add applicable suffix to the end of Model number.  
 Example: OVRHTE251201P5

EMI/RFI filter attenuation	
Max. attenuation frequency	50dB @ 100kHz

Warranty	
5-years	

### Dimensional specifications



Dim	Millimeters (Inches)
H1	156.7 (6.17)
H2	171.5 (6.75)
H3	190.4 (7.50)
W1	101.9 (4.01)
W2	155.4 (6.12)
D	127.5 (5.01)

### Product features

- UL Listed 1449 4th edition for Type 2 SPD applications.
- Protects facilities and equipment against the harmful effects of lightning strikes and internally generated electrical transients.
- Includes pre-wired pigtail conductors to streamline installation.
- Features internal copper bus conduction path to minimize system impedances, lowering clamping voltage and increasing protection.

### Product specifications

Electrical	
Nominal discharge current rating (I-n)	20kA
Operating frequency	47–63Hz
Connection methods	Parallel to load (shunt) 609.6mm (24") 5mm <sup>2</sup> (#10 AWG) wires through 20A (max) breaker
Modes of protection	L-L, L-N, L-G, N-G
Fault rating (SCCR)	65kAIC–upstream over-current protection device (breaker or fuse required)
Response time	Less than 1 nanosecond (one per phase)
Standard monitoring	LED status indicator lights
Mechanical	
Weight	5.8 kg (12.7 lbs.)
Enclosure type	NEMA 4X fiberglass-reinforced polyester (FRP) surface-mount, non-removable cover
Installation location	Indoor/outdoor
Mounting methods	Dual mounting flanges
Operating environment	40° to +60°C (-40° to +140°F)
Altitude	Up to 5000 m (16,400 ft.)
Product design	No internal fusing
Regulatory	
UL 1449 4th edition	Type 2
UL 1283	Yes
IEEE C62.41.1, .2, C62.45	Yes
Listed by	UL



## OVRHLD

### Equipment Level Protection – 100A and below



#### Available configurations

Model number	Description
OVRHLDxx-yyy-1	xxkA, yyyV, L-N, N-G (1 LED)
OVRHLDxx-yyy-2	xxkA, yyyV, L1-N, L2-N (2 LEDs)
OVRHLDxx-yyy-3	xxkA, yyyV, L1-G, L2-G (2 LEDs)
OVRHLDxx-yyy-4	xxkA, yyyV, L1-G, N-G (1 LED)
OVRHLDxx-yyy-5	xxkA, yyyV, L-N, L-G (2 LEDs)
OVRHLDxx-yyy-6	xxkA, yyyV, L-N (1 LED)
OVRHLDxx-yyy-7	xxkA, yyyV, L-G (1 LED)
OVRHLDxx-yyy-8	xxkA, yyyV, N-G (0 LED)
OVRHLDxx-yyy-9	xxkA, yyyV, L1-L2 (1 LED)

Model number: Where "xx" can be 20, 25 or 30 and

"yyy" can be 120, 127, 230, or 277

Description: Where "xx" can be 20, 25 or 30 and

"yyy" can be 120, 127, 230, or 277

Available option	Model number*
Mounting bracket	6

\*Add applicable suffix to the end of Model number.

Example: OVRHLD20-120-16

#### Warranty

3-years

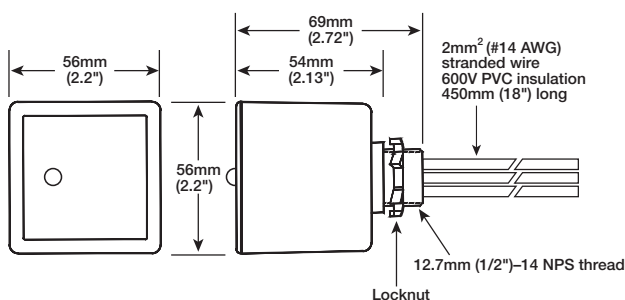
#### Product features

- UL Listed 1449 4th edition for Type 1 SPD applications.
- Multiple Metal Oxide Varistors (MOVs), with individual current fusing and thermal disconnects for each MOV.
- LED indicates proper functioning of L-N MOVs.

#### Product specifications

Electrical	
Nominal discharge current rating (I-n)	10kA
Operating frequency	47–63Hz
Connection methods	Parallel to load (shunt) 457.2mm (18") 2mm <sup>2</sup> (#14 AWG) wires Direct connect or breaker
Modes of protection	L-N, L-G, N-G
Fault rating (SCCR)	65kAIC
Response time	Less than 1 nanosecond
Standard monitoring	LED status indicator lights (one per phase)
Mechanical	
Weight	.5 kg (1 lb.)
Enclosure type	NEMA 1, non-metallic
Installation location	Indoor
Mounting method	NPS thread and aluminum bracket
Operating environment	-40° to +80°C (-40° to +176°F)
Altitude	Up to 5000 m (16,400 ft.)
Product design	Individually fused MOVs Overcurrent fusing Thermal fusing
Regulatory	
UL 1449 4th edition	Type 1
UL 1283	No
IEEE C62.41.1, .2, C62.45	Yes
Listed by	ETL

#### Dimensional specifications



Dim	Millimeters (Inches)
W	56.0 (2.20)
D1	54.0 (2.13)
D2	69.0 (2.72)
H	56.0 (2.20)

