

Total coordination motor starter

Two versions of control connection:

- Connection by screw terminals
- Connection by prewiring accessories (without connection)

Bộ khởi động mô-tơ có cấp phối hợp bảo vệ tổng

Có hai dạng đầu nối dây điều khiển

- Nối dây điều khiển bằng vít
- Nối dây điều khiển bằng phụ kiện kết nối chuyên dụng

Unit price (incl.VAT) in VND

Power bases for non-reversing DOL starting

These bases have 2 auxiliary contacts: 1 N/O (13-14) and 1 N/C (21-22) which indicate the closed or open position of the power poles
A low power internal contact allows power supply to the control unit to be switched off when the rotary knob is no longer in the ON position

Connection		Item	Rating			Reference	Unit price
Power	Control		≤440V	500V	690V		
Screw clamp terminals		1 + 2 + 3	12A	12A	9A	LUB12	3,249,400
		+ 4	32A	23A	21A	LUB32	4,724,500

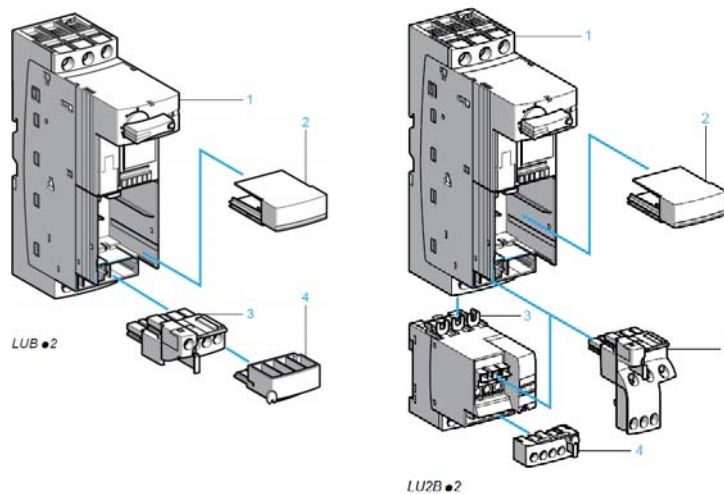
Power bases for reversing DOL starting, pre-assembled

These bases have two N/O common point contacts (81-82-84) which indicate non-reversing and reversing operation status

Connection		Items	Rating			Reference	Unit price
Power	Control		≤440V	500V	690V		
Screw clamp terminals		1 + 2 + 3	12A	12A	9A	LU2B12●●	11,588,500
		+ 4 + 5	32A	23A	21A	LU2B32●●	13,081,200

(2) Select the same control voltage as that of the control unit, see table below:

Volts	24	48...72	110...240
	BL	-	-
	B	-	-
	-	ES	FU



Total coordination motor starter

Bộ khởi động mô-tơ có cấp phối hợp bảo vệ tổng

Two versions of control connection:

Có hai dạng đầu nối dây điều khiển

- Connection by screw terminals

- Nối dây điều khiển bằng vít

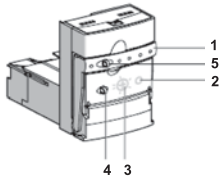
- Connection by prewiring accessories (without connection)

- Nối dây điều khiển bằng phụ kiện kết nối chuyên dụng

Unit price (incl.VAT) in VND

Description

- 1 Extraction and locking handle
- 2 Test button (on advanced control unit only)
- 3 Ir adjustment dial
- 4 Locking of settings by sealing the transparent cover
- 5 Sealing of locking handle



LUCA ●●●●
LUCB ●●●●

Standard control units, Maximum standard power rating of 3-phase motors, 50/60Hz - kW

400/440V	500V	600V	Setting range (A)	For use with power base rating (A)	Reference to be completed (1)
0.09	-	-	0.15 ... 0.6	12 and 32	LUCAX6●● 2,003,100
0.25	-	-	0.35 ... 1.4	12 and 32	LUCA1X●● 2,108,700
1.5	2.2	3	1.25 ... 5	12 and 32	LUCA05●● 2,151,600
5.5	5.5	9	3 ... 12	12 and 32	LUCA12●● 2,411,200
7.5	9	15	4.5 ... 18	32	LUCA18●● 2,605,900
15	15	18.5	8 ... 32	32	LUCA32●● 3,884,100

(1) Standard control circuit voltages:

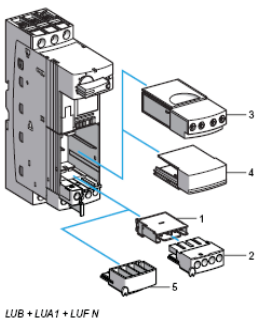
Volts	24	48...72	110...240
	BL (2),(3)	-	-
	B	-	-
	-	ES	FU

(2) Voltage code to be used for a starter-controller with communication module

(3) d.c. voltage with maximum ripple of ± 10%

Description

- 1 Extraction and locking handle
- 2 Built-in display window (2 lines, 12 characters)
- 3 4-button keypad
- 4 24Vdc auxiliary power supply
- 5 Modbus RS485 communication port. Connection by RJ45 connector
- 6 Sealing of locking handle



LUB + LUA1 + LUFN

Auxiliary contacts

Signalling and composition	Cabling	Items	Reference	Unit price
1 N/C fault signalling contact (95-96) and 1 N/O contact (17-18) indicating rotary knob in ready position	Screw clamp terminals	1 + 2	LUA1C11	734,800
1 N/O fault signalling contact (97-98) and 1 N/O contact (17-18) indicating rotary knob in ready position	Screw clamp terminals	1 + 2	LUA1C20	734,800

Auxiliary contacts modules for connection by screw clamp terminal

Module with 2 contacts indicating the status of the starter-controller power poles

2 N/O contacts (33-34 and 43-44)	3	LUFN20	734,800
1 N/C contacts (31-32) and 1 N/O contact (43-44)	3	LUFN11	734,800
2 N/C contacts (31-32 and 41-42)	3	LUFN02	734,800